

MODEL**A25**

Black



Red



Blue



Purple



White

**1 MATERIAL**

- RoHS approved fiber reinforced Polycarbonate (Optional)
- UL/RoHS approved ChiMei Acrylate Styrene Acrylonitrile (Default)
- PC copolymer with enhanced UV stabilization Lexan Resin SLX2432T (Optional)
- Explosion-proof Carbon loaded ABS and flame resistant ABS material are available

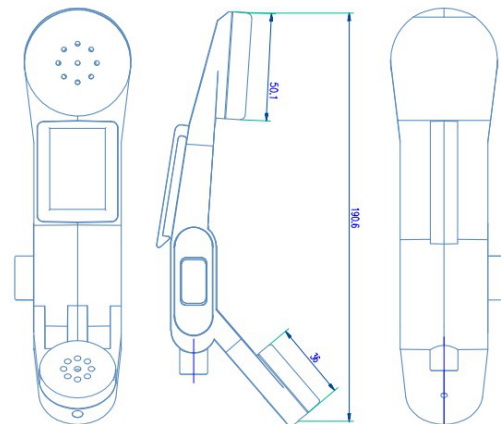
2 SPECIFICATION

Waterproof Grade	IP67
Ambient Noise	≤100dB
SLR	N/A
RLR	N/A
STMR	N/A
Working Temperature	-45℃ ~ +55℃
Relative Humidity	≤95%
Atmospheric Pressure	80Kpa-110Kpa
Certification	CE approved

3 RECEIVER

- Military Receiver-Dynamic EA1001 (Default)
 - Rated Impedance : $1000\pm 15\%$ ohm
 - Frequency Response : $300 \pm 20\%$ Hz
 - Rated SPL: -115 ± 3 dB/Pa at 1 KHz
 - Frequency Limit: 200-4000 KHz
- EA1516 dynamic receiver (Optional)
 - Frequency Response Range: 300 Hz-3400 Hz
 - Sensitivity: 97 ± 2 dB at 60mv
 - Impedance: $150\pm 20\%$ ohm at 1 KHz

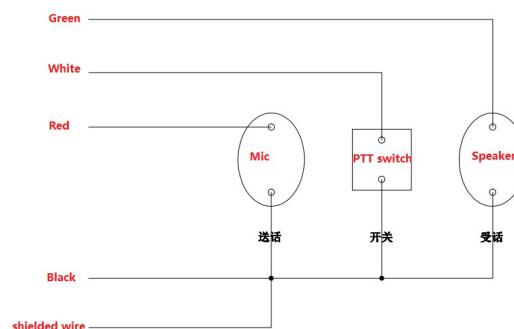
4 DIMENSION DRAWING



5 MICROPHONE

- Military Microphone-Dynamic EA1517 (Default)
 - Rated Impedance : $150\pm 15\%$ ohm
 - Frequency Response : $300 \pm 20\%$ Hz
 - Rated SPL: -59 ± 3 dB/Pa at 1 KHz
 - Frequency Limit: 200-4000 KHz
- EB5421 Electret Microphone (Optional)

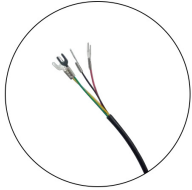
6 CONNECTION DRAWING



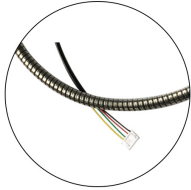
7 CORD

- TEPU military curly cord Dia 7mm (Default)
 - Standard cord length 9 inch in retracted, 6 feet after extended (Default)
 - Customized different length is available.
- Weather resistant PVC curly cord (Optional)
- Hytrel curly cord (Optional)

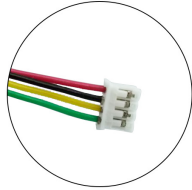
8 CONNECTOR



Y Spade



2.54mm XH Plug



2.0mm PH Plug



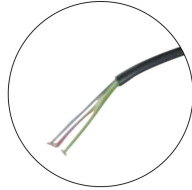
RJ Connector



3.5mm Two-audio Jack



Single Audio Jack



Bare Wire



Aviation Connector



Aviation Connector



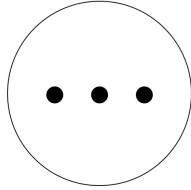
Aviation Connector



6.35mm Audio Jack



USB Connector



More

9 APPLICATION



This handset is mainly for military telecommunication equipment and all kinds of radios and etc.